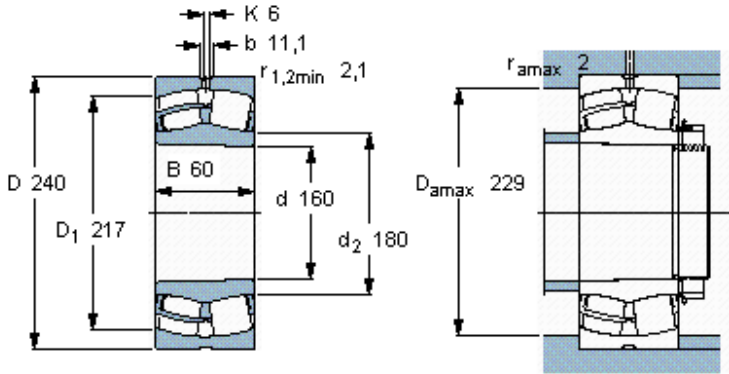


Spherical roller bearings, cylindrical and tapered bore

Principal dimensions			Basic load ratings		Speed ratings		Designation
d	D	B	dynamic C	static C0	Reference speed	Limiting speed	
mm			kN		r/min		
160	240	60	614	880	2400	3000	* SKF Explorer bearing 23032 CCK/W33 *



Tapered bore, taper
1: 12

- Calculation factors**
- e 0,22
 - Y_1 3
 - Y_2 4,6
 - Y_0 2,8